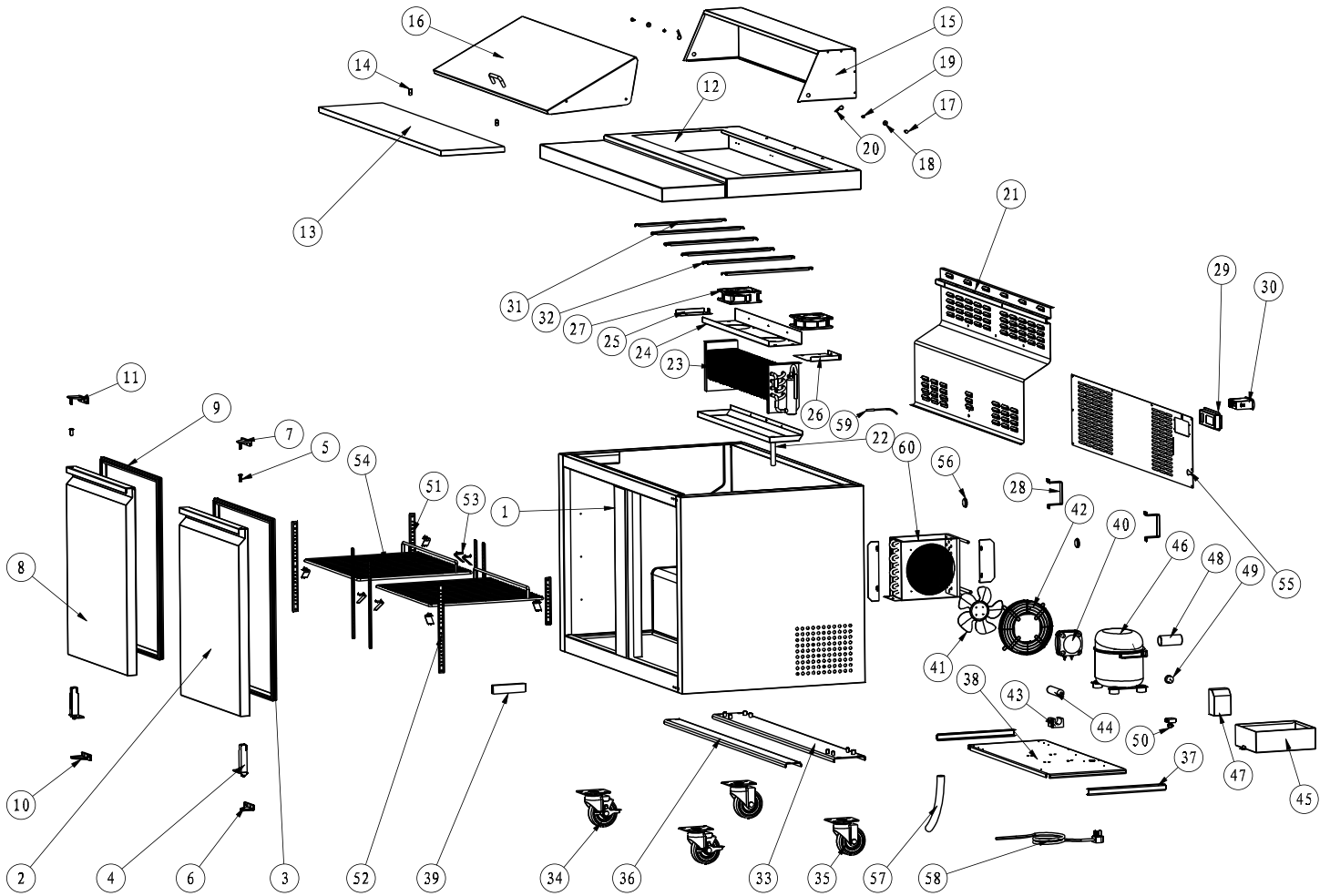


# Parts Breakdown

Model PT-CN-0920-HC 50034





# Parts Breakdown

## Model PT-CN-0920-HC 50034

Item No.	Description	Position	Item No.	Description	Position	Item No.	Description	Position
AO056	Cabinet for 50034	1	AO064	Evaporator Cover for 50034	21	AL932	Condenser Fan Motor for 50034	40
AO057	Right Door for 50034	2	AF100	Inner Drain Pan for 50034	22	AL391	Blade of Condenser Fan Motor for 50034	41
AO058	Gasket for 50034	3, 9	26955	Evaporator for 50034	23	AL933	Condenser Fan Cover for 50034	42
AI945	Spring Hinge Board for 50034	4	AF101	Fan Motor Installation Panel for 50034	24	AB595	Filter Fixer for 50034	43
AA388	Axis Cover for 50034	5	AO065	Left Clapboard of Evaporator for 50034	25	AI968	Filter for 50034	44
AA360	Bottom Left Hinge for 50034	6	AO066	Right Clapboard of Evaporator for 50034	26	AF087	Outer Drain Pan for 50034	45
AF070	Upper Right Hinge for 50034	7	AA128	Condenser Fan Motor for 50034	27	AF088	Compressor for 50034	46
AO059	Left Door for 50034	8	AF080	Stand Off Bracket for 50034	28	AL934	Compressor Starting Kit for 50034	47 - 50
61468	Left Bottom Hinge for 50034	10	AB320	Thermostat Installation Board for 50034	29	AF089	K Strip-2 Holes for 50034	51
AB200	Upper Left Hinge for 50034	11	AL929	Thermostat for 50034	30	AF090	K Strip-3 Holes for 50034	52
AO060	Top Board for 50034	12	AF081	Pan Bracket-15 for 50034	31	26884	K Clip for 50034	53
AO061	Cutting Board for 50034	13	AF082	Pan Bracket-25 for 50034	32	AN875	Shelf for 50034	54
AB253	Fixer for Cutting Board for 50034	14	AO067	Castor Support for 50034	33	AO069	Back Grill for 50034	55
AO062	Back Cover for 50034	15	26246	Caster with Brake for 50034	34	AB169	Foaming Hole Cover for 50034	56
AO063	Lid for 50034	16	26247	Caster without Brake for 50034	35	AA133	Drain Hose for 50034	57
AB256	Dowel for 50034	17	AO068	Assembling Panel Support for 50034	36	AA135	Power Cord for 50034	58
AB257	Plastic Bolt for 50034	18	AF085	Compressor Unit Track for 50034	37	AA379	Temperature Probe for 50034	59
AB258	Nut for 50034	19	AF086	Compressor Unit Installation Board for 50034	38	AA596	Thermometer for 50034	60
AB259	Split Pin for 50034	20	AB159	Condenser for 50034	39			